

**Kol. Opis**

**1 MAGNA1 80-120 F**



Paznja! Slika proizvoda se može razlikovati od stvarnog proizvoda

Proizvodni broj: [99221409](#)

The new MAGNA1 is the simple option for a job well done. It is the perfect choice when replacing older circulators and due to its compliance with the EuP 2015 regulations, substantial savings on electricity is a reality. The ideal choice for basic performance needs in applications where basic system control and monitoring is desired.

- Monitoring via the fault relay, ensuring peace of mind
- Digital start/stop input available for remote pump control
- Continuous operation and reduced downtime with the wireless twin pump function (available on twin-head pumps)
- High energy efficiency resulting in substantial savings on electricity
- Easy setup and operation via the simple user interface
- No maintenance due to the canned-rotor type design.

MAGNA1 is the simple and efficient choice for most applications including

- Heating
  - Main pump
  - Mixing loops
  - Heating surfaces
- Cooling
  - Air conditioning surfaces
  - Ground source heat pump systems
  - Smaller chiller applications

**Te nost:**

Dizana te nost: voda  
Raspon temperature te nosti: 263 .. 383 K  
Selected liquid temperature: 333 K  
Gustina: 983.2 kg/m<sup>3</sup>

**Tehni ki:**

TF klasa: 110  
Saglasnosti na natpisnoj plo ici: CE,VDE,EAC,CN ROHS,WEEE

**Materijali:**

Ku ište pumpe: Liveno gvož e  
EN-GJL-250  
ASTM A48-250B  
Rotor: PES 30%GF

**Ugradnja:**

Opseg temperature okruženja: 273 .. 313 K  
Maksimalni radni pritisak: 600 kPa  
Standardna priрубnica: DIN  
Spajanje pumpe: DN 80  
Nazivni pritisak: PN6  
Dužina ugra ivanja: 360 mm

Kol.	Opis
------	------

**Elektri ni podaci:**

Potrebna snaga - P1: 30.5 .. 1277 W

Frekvencija struje: 50 / 60 Hz

Potrebni napon: 1 x 230 V

Maksimalna strujna potrošnja: 0.31 .. 5.59 A

Klasa zaštite (IEC 34-5): X4D

Klasa izolacije (IEC 85): F

**Ostali:**

Energy (EEI): 0.19

Neto masa: 30.2 kg

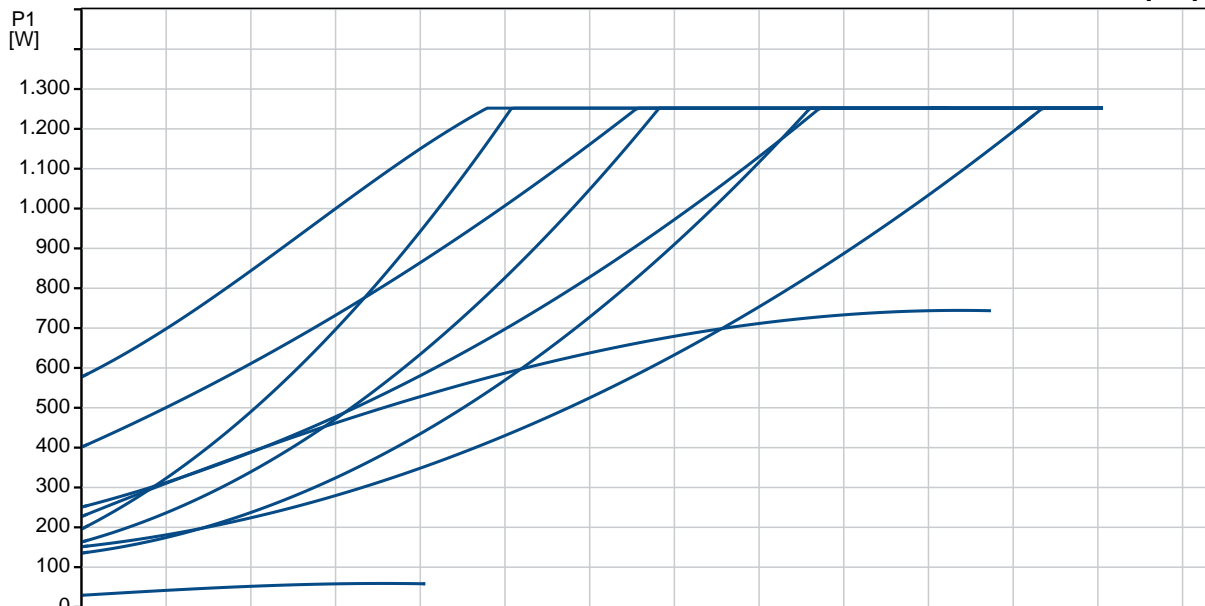
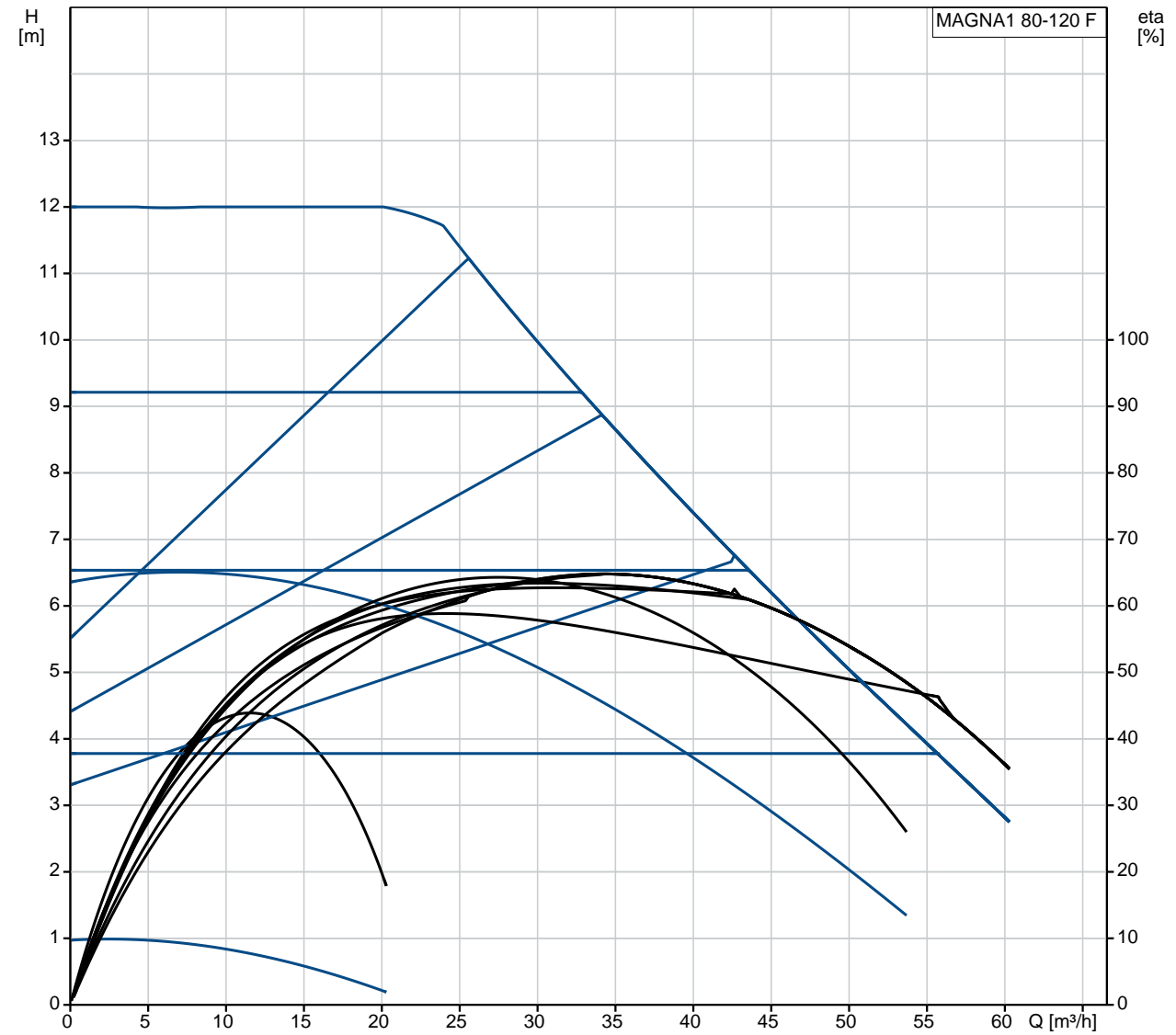
Bruto masa: 32.5 kg

Shipping volume: 0.071 m<sup>3</sup>

Country of origin: DE

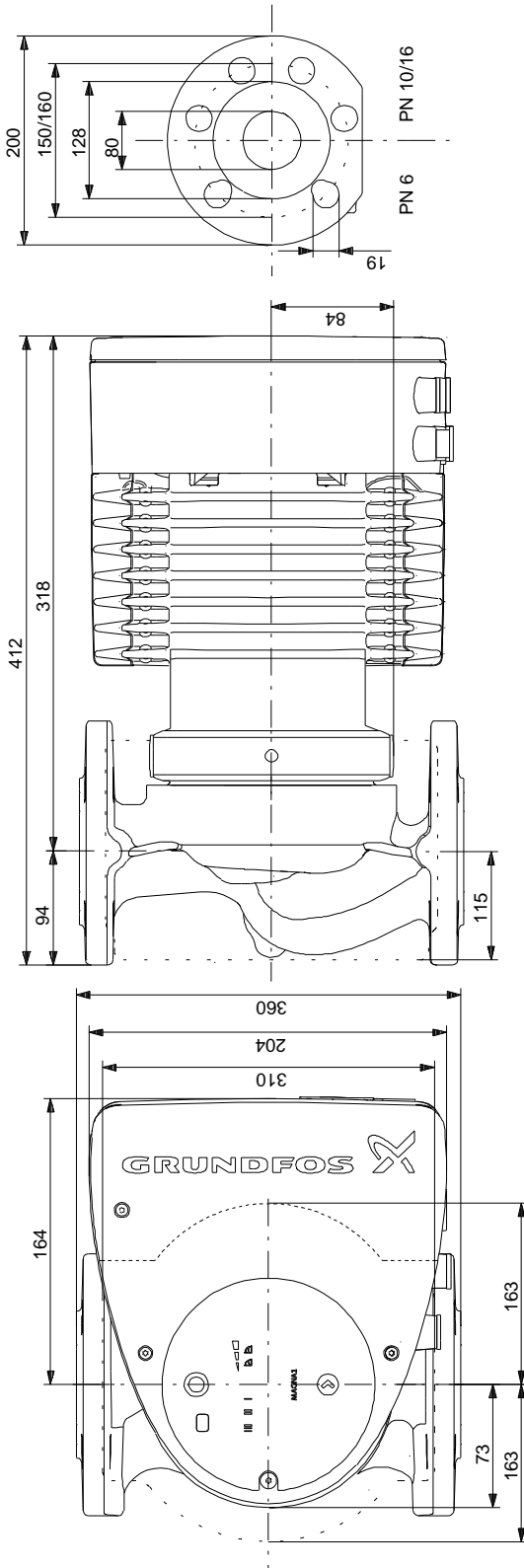
Custom tariff no.: 84137030

## 99221409 MAGNA1 80-120 F





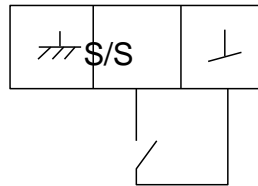
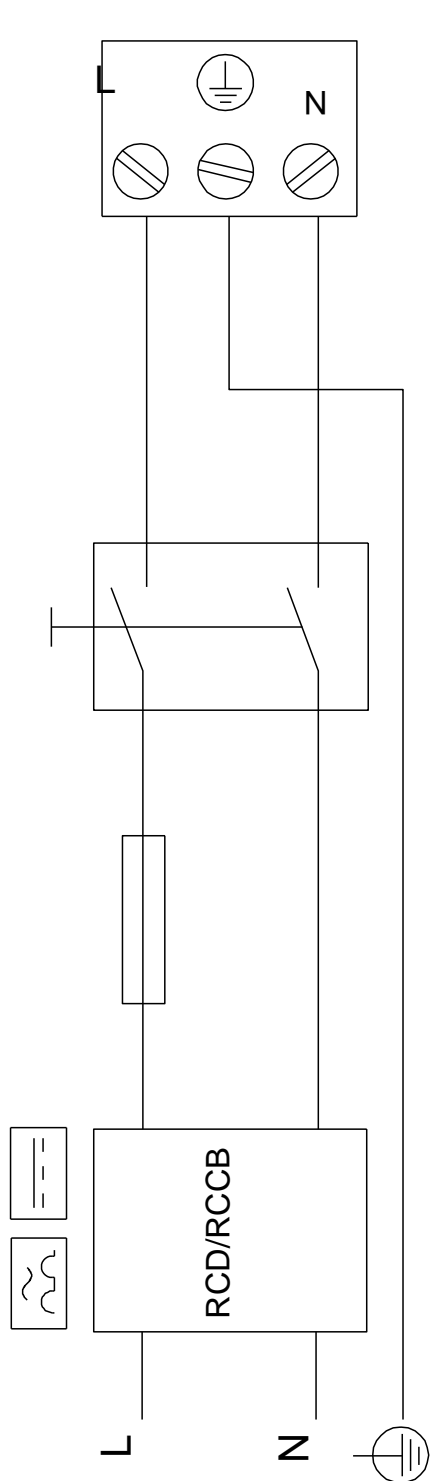
## 99221409 MAGNA1 80-120 F



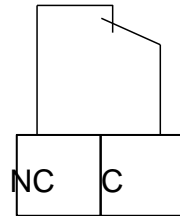
Napomena! Sve jedinice su u [mm]ukoliko druga nije navedeno.  
Upozorenje: Ovaj pojednostavljeni dimenzioni crtež ne pokazuje sve detalje.

## 99221409 MAGNA1 80-120 F

Example of mains-connected motor  
with mains switch, backup fuse and additional protection



Digital inputs



Relay outputs

Pažnja! Sve jedinice su u [mm] ukoliko nije re eno druga ije.